



## **LAYER THE QUILT:**

### **Option 1: Spray baste**

Lay the backing on the table with the wrong side facing up and tape it down. Spray with spray baste sparingly.

Lay the wadding on top and spray lightly.

With the right side up lay the top onto the wadding. Smooth out with your hand and press.

### **Option 2: Pinning or tacking**

Lay the backing on the table with the wrong side facing up and tape it down.

Lay the wadding on top.

With the right side up lay the top onto the wadding.

Pin or thread baste all three layers together.

Note: these instructions are not required if you are having your quilt professionally quilted.

## **QUILTING:**

Quilt in your preferred manner.

I have had this quilt professionally quilted by Cathy Schibrowski of Swandale Quilting, telephone 0400 879 552.

Trim up the quilt top.

## **BINDING:**

Binding is made from 2" wide strips. Join the strips end to end and press the seams open.

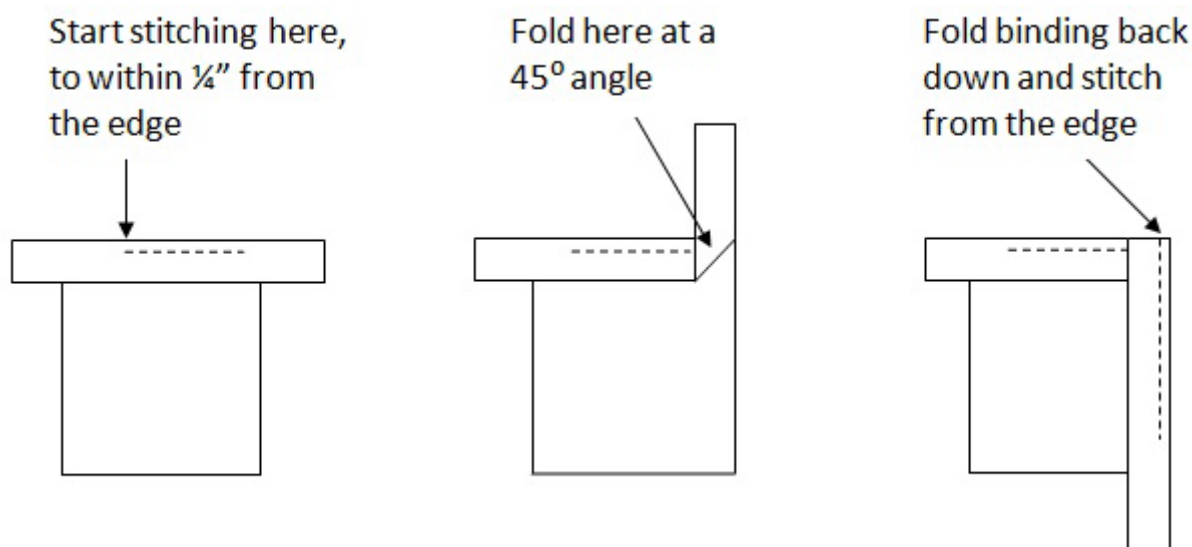
Fold the binding in half lengthwise with wrong sides together and press.



Line up the raw edge of the binding with the edge of the quilt right sides together.

Start stitching part way along one side leaving about 6" of binding loose at the beginning.

Mitre each of the corners as you go following the diagrams below.



When you get to within approx. 6" of the end remove from the machine.

Measure and join the binding pieces together, continue to sew the remaining binding to the quilt.

Once you have finished, fold the binding over to the back and hand sew with a slip stitch.